

HZ-CA13U Cine Lens Adapter

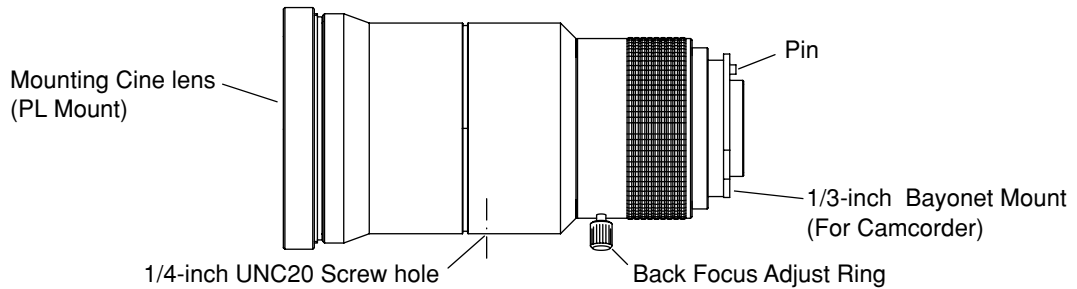
Thank you for purchasing the HZ-CA13U Cine lens adapter.

HZ-CA13U is an adapter for mounting 16mm cine lens to JVC ProHD Camcorder.

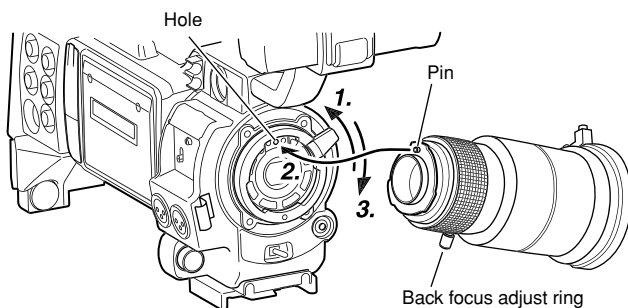
Compatible camcorder : HZ-CA13U can be used on Camcorder which lens mounting method is 1/3-inch Bayonet type.

GY-HD100U/E, GY-HD101E, GY-HD110U/E, GY-HD111E, GY-HD200U/E, GY-HD201E

GY-HD250U/E, GY-HD251E



Attaching the Cine Lens Adapter to the Camcorder



1. Loosen the mount ring of the camcorder.
2. Attach the cine lens adapter with its pin aligned with the hole in the mount.
3. Tighten the mount ring of the camcorder.
4. In the case of fixed-focus lens, adjust the lens focus to $t \infty$, take picture of object (30m far away or above) and then adjust using Back focus adjust ring such that the back focus is adjusted properly.

5. When zoom lens is mounted, use Back focus adjust ring to adjust if the back focus is out of adjustment. Firstly, set to Telephoto position and adjust the lens focus, then set to Wide-angle position and adjust using Back focus adjust ring such that the focus is adjusted properly.

CAUTION

- Be sure to tighten the mount ring completely. Incomplete tightening may result in the lens dropping off or disturbed back focus.
- Set the Camcorder's power switch to "OFF" before the zoom lens is attached or detached.
- This adapter is exclusively for 16mm Cine lens.
- 1/4-inch UNC screw holes for lens support are provided on this adapter. Attach the lens support always when using the cine lens.
- When taking picture using this adapter, the image will be displayed upside-down on the monitor. A menu to restore the upside-down image is available on GY-HD200/201/250/251.

Specifications

Conversion Ratio	: x 0.47
Aperture	: f / 1.4
Size length	: 138.2 mm (Mount to Mount)
Diameter	: ϕ 78 mm
Weight	: 860 g
Mount for lens side	: PL Mount
Mount for Camera side	: 1/3-inch Bayonet Mount

■ Dimensions (unit: mm)

